

Hose clamps

1.4016 stainless steel housing and band.
Hexagon screw zinc-plated.
Worm gear high tension.
Flat tape inner sides with turned up rims.
According to DIN 3017, W2



Clamps with hexagon screw

Clamps with hexagon screw

W4, completely rust-free, is available on request

R+M Nr.	VPE	∅	I
735 10	1	8 - 12 mm	9 mm
735 20	1	10 - 16 mm	9 mm
735 30	1	12 - 20 mm	9 mm
735 40	1	16 - 25 mm	9 mm
735 50	1	20 - 32 mm	9 mm
735 60	1	25 - 40 mm	9 mm
735 70	1	32 - 50 mm	9 mm
735 80	1	50 - 70 mm	9 mm

R+M Nr.	VPE	∅	I
735 10 100	100	8 - 12 mm	9 mm
735 20 100	100	10 - 16 mm	9 mm
735 30 100	100	12 - 20 mm	9 mm
735 40 100	100	16 - 25 mm	9 mm
735 50 100	100	20 - 32 mm	9 mm
735 60 100	100	25 - 40 mm	9 mm
735 70 100	100	32 - 50 mm	9 mm
735 80 100	100	50 - 70 mm	9 mm

Wall brackets

Hose holders



Holding capacity 1/2" = 40 m - 3/4" = 30 m.
Hole spacing 140 mm.
W x H x D = 260 x 165 x 170 mm

R+M Nr.	(M)
110 00	plastic



Holding capacity 1/2" = 40 m - 3/4" = 30 m.
Hole spacing 140 mm.
W x H x D = 280 x 140 x 130 mm

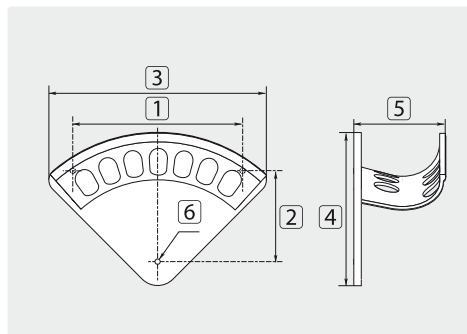
R+M Nr.	(M)
110 05	powder-coated steel



Holding capacity 1/2" = 40 m - 3/4" = 30 m.
Hole spacing 125 mm.
W x H x D = 360 x 200 x 170 mm

R+M Nr.	(M)
110 06	polished stainless steel

Hose holder aluminium



R+M Nr.	(TYP)	holding capacity	1	2	3	4	5	6
110 01	S	1/4" = 30 m - 3/8" = 20 m	155	77	188	145	70	∅ 5.5
110 02	M	3/8" = 30 m - 1/2" = 20 m	255	107	266	200	108	∅ 6.0
110 03	L	1/2" = 30 m - 3/4" = 20 m	272	145	348	255	143	∅ 8.0
110 031	XL	3/4" = 30 m - 1" = 20 m	366	162	417	307	187	∅ 10.0

Brush holder



Suitable for all brushes.
Hole spacing 202 mm.
W x H x D = 250 x 90 x 100 mm

R+M Nr.	(M)
108 290 30	stainless steel