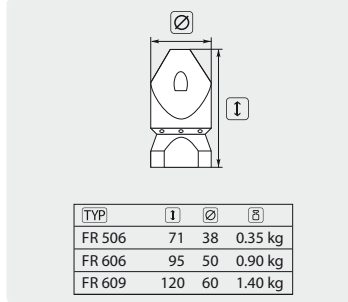


## Sewer cleaning nozzles

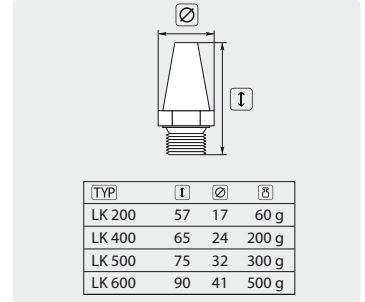
### Milling type FR . 250 bar \*



Stainless steel. 3 sharp cutting edges provide excellent milling effect. 3 or 4 jets to front. Pressure max. 250 bar. Applications: completely blocked pipes. Delivery time of approx. 3 - 4 weeks

R+M Nr.	TYP	⊖*	⊙	rear jet	front jet	R
652 300 04	FR 506	90 - 180	3/4" F	6	4 (M4)	from 8 cm
652 300 05	FR 606	200 - 360	1" F	6	4 (M6)	from 12 cm
652 300 06	FR 609	200 - 360	1" F	9	4 (M6)	from 20 cm

### Cone shape nozzles LK . 500 bar \*



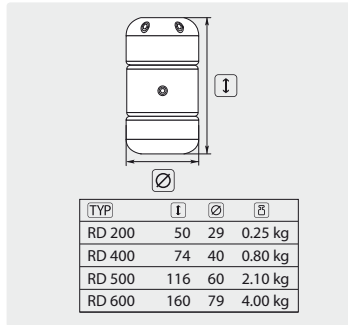
Stainless steel. Extremely high impact force. Long reach. Pressure max. 500 bar. Applications: cleaning of shafts.

Delivery time of approx. 3 - 4 weeks

R+M Nr.	TYP	orifice Ø	⊙
652 400 01	LK 200	2 - 5 mm	1/4" M
652 400 02	LK 400	3 - 6 mm	1/2" M
652 400 03	LK 500	3 - 7 mm	3/4" M
652 400 04	LK 600	4 - 8 mm	1" M

**\* When placing an order, please state flow rate + pressure!**

### Rotating nozzles RD . 250 bar



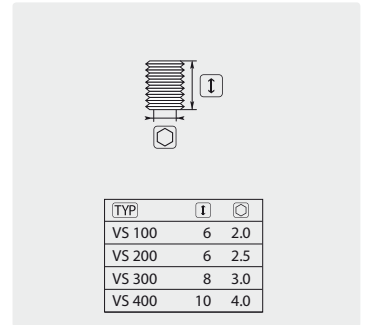
Stainless steel. Brazen rotating body. Excellent cleaning by rotating jets. Exchangeable inserts included. Excellent pulling power by return beams specially placed.

Pressure max. 250 bar.

Delivery time of approx. 3 - 4 weeks

R+M Nr.	TYP	⊖*	⊙	rear jet	front jet	R
652 500 01	RD 200	20 - 40	1/4" F	4	3	from 40 mm
652 500 02	RD 400	40 - 120	1/2" F	5	3	from 70 mm
652 500 03	RD 500	140 - 180	3/4" F	6	3	from 100 mm
652 500 04	RD 600	300 - 360	1" F	8	3	from 120 mm

### Nozzle inserts solid stream VS . 500 bar



Stainless steel. Pressure max. 500 bar

R+M Nr.	TYP	orifice Ø	⊙
652 600 01	VS 100	0.6 - 1.5 mm	M4
652 600 02	VS 200	0.6 - 2.0 mm	M6
652 600 03	VS 300	0.6 - 2.5 mm	M8
652 600 04	VS 400	0.6 - 3.8 mm	M10

Symbols TYP type ⊙ thread R lance ⊖ flow G weight Ø diameter I height