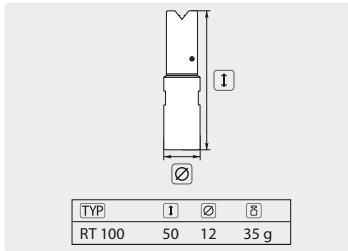


## Sewer cleaning nozzles

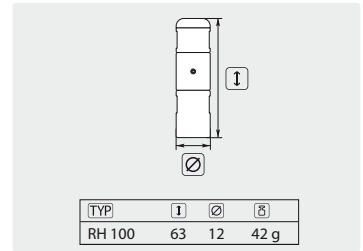
## Rotating nozzles RT . 1000 bar



Stainless steel. Rotating body hp-bronze. Compact model, universally applicable. Extreme cleaning performance, removes hard deposits. Pressure max. 1000 bar. Delivery time of approx. 3 - 4 weeks

R+M Nr.	TYP	←*	⊙	rear jet	front jet
652 710 006	RT 100	6 l/100 bar	1/8" F	2	2
652 710 010	RT 100	12 l/100 bar	1/8" F	2	2
652 710 014	RT 100	14 l/100 bar	1/8" F	2	2

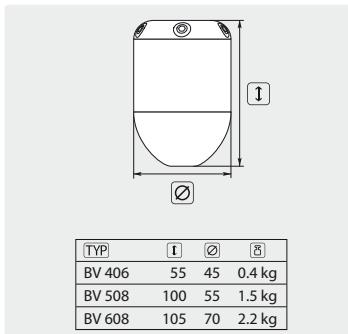
## Rotating nozzles RH . 1000 bar



Stainless steel. Rotating body hp-bronze. Compact model, universally applicable. Extreme cleaning performance, removes hard deposits. Pressure max. 1000 bar. Delivery time of approx. 3 - 4 weeks

R+M Nr.	TYP	←*	⊙	side jet
652 810 006	RH 100	6 l/100 bar	1/8" F	2
652 810 010	RH 100	10 l/100 bar	1/8" F	2
652 810 014	RH 100	14 l/100 bar	1/8" F	2

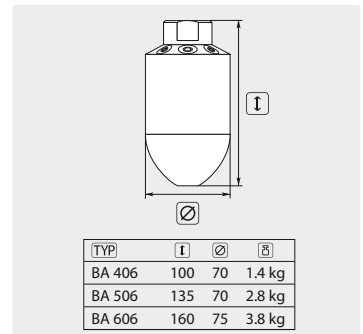
## Sewer nozzles BV . 250 bar \*



Stainless steel. With exchangeable inserts. Extreme pulling and cleaning power. Pressure max. 250 bar. Applications: Removal of deposits and blockages, sewer cleaning. Delivery time of approx. 3 - 4 weeks

R+M Nr.	TYP	←*	⊙	rear jet	front jet	R
652 100 01	BV 406	40 - 80	1/2" F	6 (M6)		from 6 cm
652 100 02	BV 406-Z	40 - 80	1/2" F	6 (M6)	1 (M6)	from 6 cm
652 100 03	BV 508	100 - 200	3/4" F	4+4 (M8)		from 10 cm
652 100 04	BV 508-Z	100 - 200	3/4" F	4+4 (M8)	1 (M8)	from 10 cm
652 100 05	BV 608	180 - 340	1" F	4+4 (M10)		from 15 cm
652 100 06	BV 608-Z	180 - 340	1" F	4+4 (M10)	1 (M10)	from 15 cm

## Sewer nozzles BA . 250 bar \*



Hardened steel. With exchangeable inserts. Extreme pulling and cleaning power. Pressure max. 250 bar. Applications: all around cleaning of dirty or blocked sewers. Delivery time of approx. 3 - 4 weeks

R+M Nr.	TYP	←*	⊙	rear jet	front jet	R
652 200 01	BA 406	40 - 100	1/2" F	6 (M6)		from 10 cm
652 200 02	BA 406-Z	40 - 100	1/2" F	6 (M6)	1 (M6)	from 10 cm
652 200 03	BA 506	80 - 200	3/4" F	6 (M8)		from 15 cm
652 200 04	BA 506-Z	80 - 200	3/4" F	6 (M8)	1 (M8)	from 15 cm
652 200 05	BA 606	200 - 400	1" F	6 (M10)		from 20 cm
652 200 06	BA 606-Z	200 - 400	1" F	6 (M10)	1 (M10)	from 20 cm

\* When placing an order, please state flow rate + pressure!