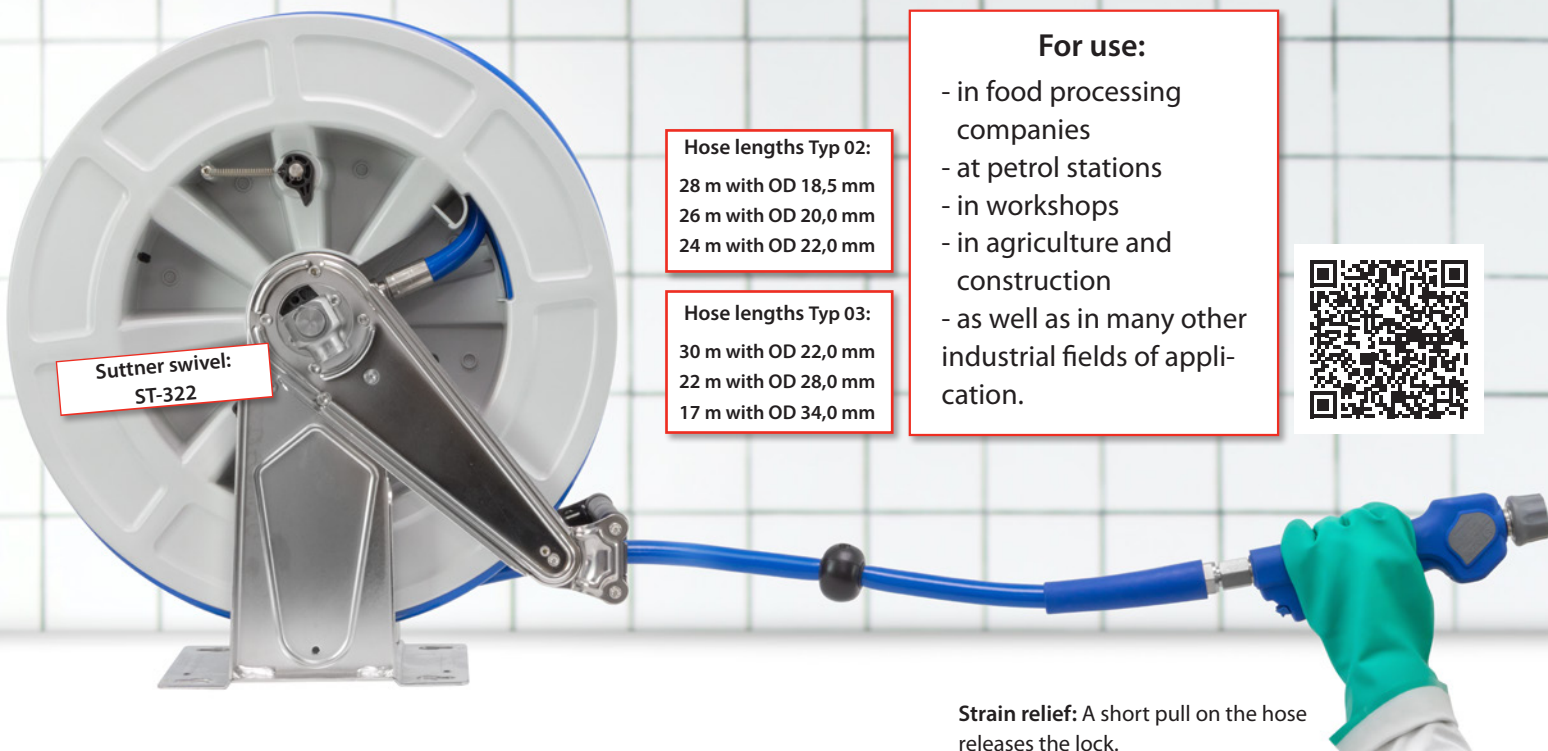


Automatic high pressure hose reel rust-free DN 12 in two sizes



The choice of perfection



Hose lengths Typ 02:
28 m with OD 18,5 mm
26 m with OD 20,0 mm
24 m with OD 22,0 mm

Hose lengths Typ 03:
30 m with OD 22,0 mm
22 m with OD 28,0 mm
17 m with OD 34,0 mm

For use:

- in food processing companies
- at petrol stations
- in workshops
- in agriculture and construction
- as well as in many other industrial fields of application.



Strain relief: A short pull on the hose releases the lock.

Automatic high pressure hose reel rust-free DN 12

- Frame made of **stainless steel V2A / AISI 304**. Drum made of particularly impact-resistant ABS plastic.
- The high-quality construction of the automatic high-pressure hose reel with automatic spring return.
- Easy installation on walls, ceilings, vehicles.
- All models have a strain relief.
- Equipped with the high-quality Suttner swivel joint ST-322.
- Max. Pressure: 300 bar, max. Temperature: 90° C
- **Applicable media:** water or water with cleaning chemicals, air, oils and greases and air.

Sturdy material: Typically used in motorcycle helmets and in the automotive industry.



Swivel joint ST-322: Made of stainless steel, with a sliding ring sealing element.

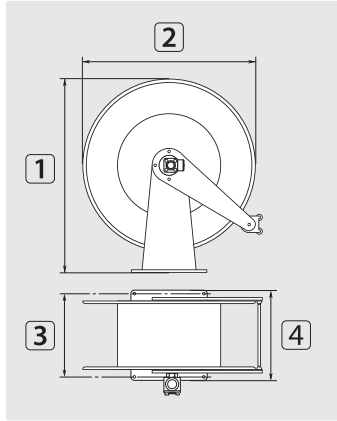


Included in delivery: Hose stopper for many sizes.

Automatic high pressure hose reel rust-free DN 12 in two sizes

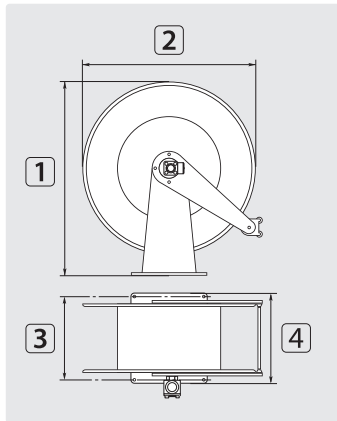


The choice of perfection



Simple assembly: A mounting plate ▲ and a wall and swivel bracket ▲ are optionally available.

R+M Nr.	C	★	G	⊖	DN	P	°C	⌀	1	2	3	4	TYP
763 532 30	grey	▲	1/2" F	1/2" F	12	100-300 bar	90 °C	19.0 kg	560 mm	510 mm	153 mm	203 mm	02



Simple assembly: A mounting plate ■ and a wall and swivel bracket ■ are optionally available.

R+M Nr.	C	★	G	⊖	DN	P	°C	⌀	1	2	3	4	TYP
763 454 41	grey	■	1/2" F	1/2" F	12	100-300 bar	90 °C	21.5 kg	573 mm	510 mm	218 mm	300 mm	03

Accessories: The hose reel can be easily installed with a wall bracket or mounting plate.

Wall swivel brackets



Stainless steel V2A / AISI 304. 80° swivel

R+M Nr.	★
763 530 06	▲
763 540 06	■

Wall bracket



Stainless steel. Optionally as fit-up aid

R+M Nr.	★
763 530 02	▲
763 540 02	■

Swivel ST-322



⊖ M28 M. DN 12. Max. 100-300 bar / 90 °C

R+M Nr.	1	G
200 322 523	79.5 mm	1/2" F