

easywash365+ holder for motorcycle helmets

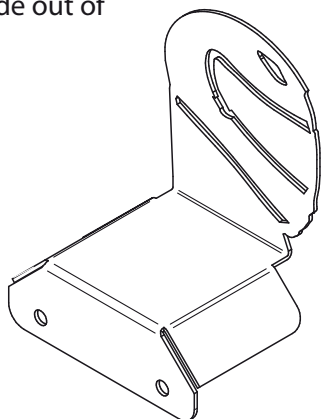
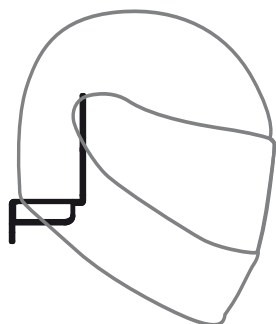


The choice of perfection



The handy holder for motorcycle helmets for self-service washing bays

- the perfect storage for motorcycle helmets
- dimensions H x W x D: 150 x 125 x 87 mm
- stainless steel 2 mm
- high-quality finishing made out of one part
- attractive design



two fixing holes: diameter of 8 mm



easy wash 365+

R+M Nr.	weight
105 000	380 g