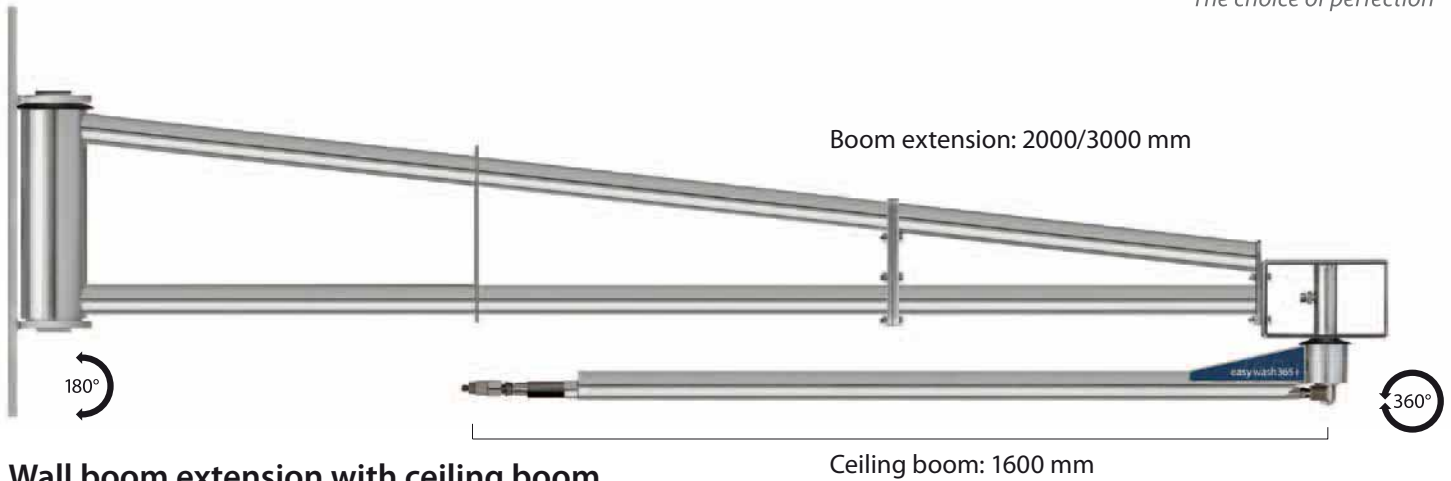


easy wash 365+

wall boom extension with ceiling boom



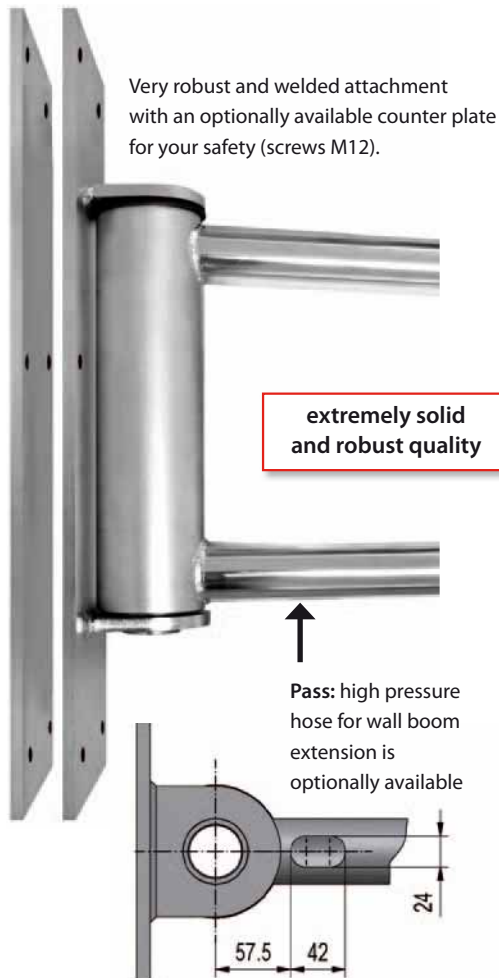
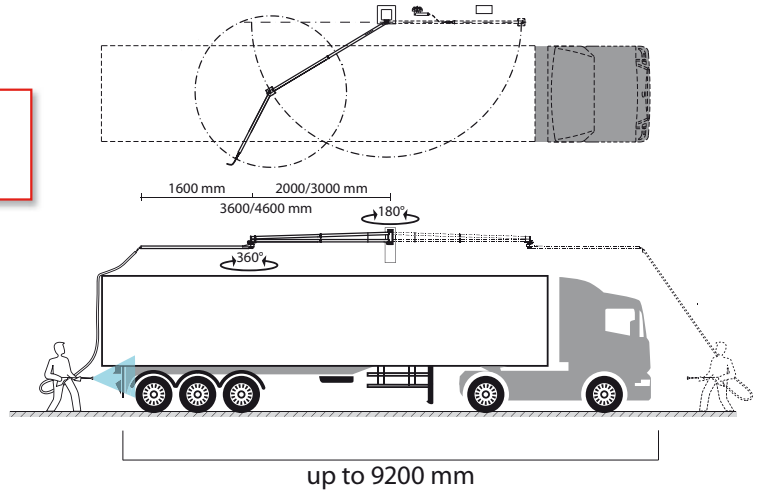
The choice of perfection



Wall boom extension with ceiling boom

- Ceiling boom swivelling 360°, wall boom swivelling by 180°
- Maintenance-free ball bearing swivels
- Optionally available counter plate
- Total length of up to 4600 mm
- Max. 275 bar / 120 °C
- Connection: 3/8" M
- Material: stainless steel

designed for washing big vehicles



Very robust and welded attachment with an optionally available counter plate for your safety (screws M12).

extremely solid and robust quality

Pass: high pressure hose for wall boom extension is optionally available

easywash365+ wall boom extension with ceiling boom

Stainless steel. Max. 275 bar / 120 °C

R+M Nr.	length	inlet	outlet
109 760 972	2000 mm + 1600 mm	3/8" M	3/8" M
109 760 973	3000 mm + 1600 mm	3/8" M	3/8" M

easywash365+ wall boom counter plate

Stainless steel. 10 mm

R+M Nr.
109 790 419 3

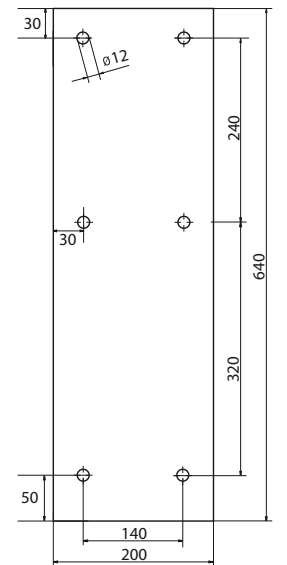
High pressure hose for easywash365+ boom extension

3/8" DKR : 3/8" DKR - 90°. 2 SC. DN 8. Black

R+M Nr.	length
345 154 002 11	2100
345 154 003 11	3100



Top connection: robust bracket for safe assembly of the boom



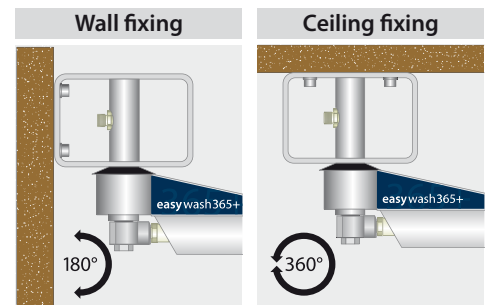
easy wash 365+

wall and ceiling booms

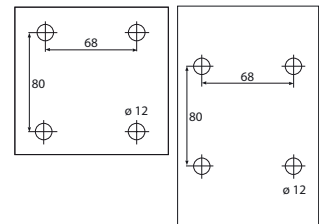


High pressure ceiling boom including high pressure hose for walls and ceiling

- Assembly at walls or ceiling
- High pressure hose including, DN 8, black
- Ceiling boom swivelling by 360°, swivelling by 180° in case of wall assembly
- Ball bearing swivel
- Total length of up to 2500 mm
- Max. 275 bar / 120 °C
- Connection: 3/8" M
- Material: stainless steel



Ready for mounting: the bracket enables an easy assembly with screws M12



easywash365+ wall and ceiling booms

Stainless steel. Boom with ball bearing swivel and high pressure hose. DN 8. Maintenance-free. Max. 275 bar / 120 °C

R+M Nr.	length	inlet	outlet
109 766 970	1600 mm	3/8" M	3/8" M
109 766 971	2000 mm	3/8" M	3/8" M
109 766 973	2500 mm	3/8" M	3/8" M



Bracket: robust welding, easy assembly

maintenance-free and durable

Swivel connection: greasing is not necessary



Tip: 3/8" M connection for high pressure hose with o-ring

Available in 3 lengths:
1600 mm
2000 mm
2500 mm