

High pressure hose reel STKI mini

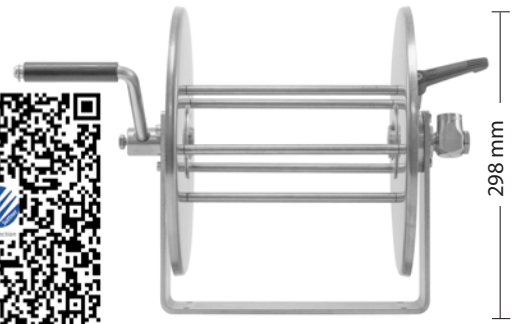


The choice of perfection

Lockable: The drum can be fixed with a turn of the brake lever.



Hose lengths:
20 m for ø extérieur 15 mm
15 m for ø extérieur 20 mm



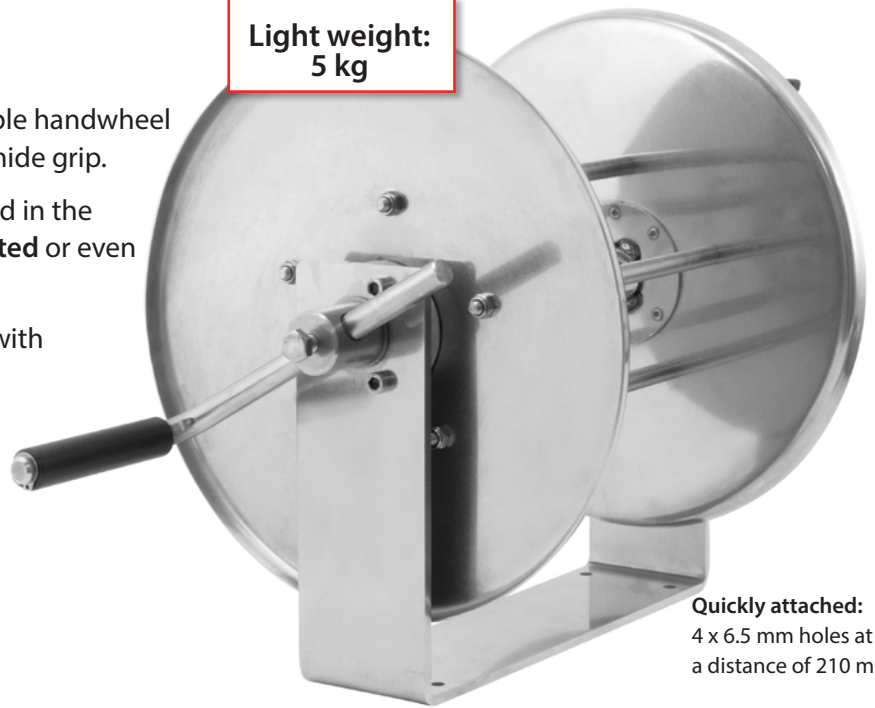
First class workmanship:
Solid construction of the bracket with a wall thickness of 5 mm.

Hand crank: The free-running polyamide handle makes it easy to roll up and down.

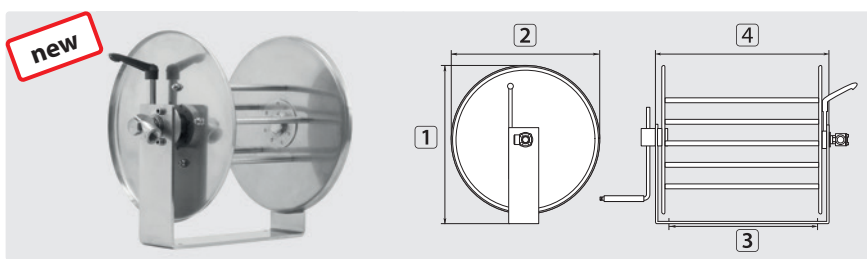
High pressure hose reel STKI mini

- **Stainless steel / AISI 304**
- The drum rotates by means of an adjustable handwheel being equipped with a free-wheel polyamide grip.
- By means of a mechanical brake integrated in the bearing the drum **can be slowly decelerated** or even totally blocked.
- Suitable for the mediums water or water with cleaning detergent, air, oils and greases.
- The hose reels are all equipped with a swivel ST-320.
The swivels ST-320 are completely made out of stainless steel and have a slide ring as sealing element.

Light weight:
5 kg



Quickly attached:
4 x 6.5 mm holes at a distance of 210 mm.



Suttner swivel joint ST-320:
Max. 300 bar, 90 °C.



Version: 12_2020

R+M Nr.	⊗	⊙	DN	P	°C	⊘	1	2	3	4	TYP
739 40	3/8" F	3/8" F	08	300 bar	90 °C	5,0 kg	298 mm	265 mm	210 mm	258 mm	01