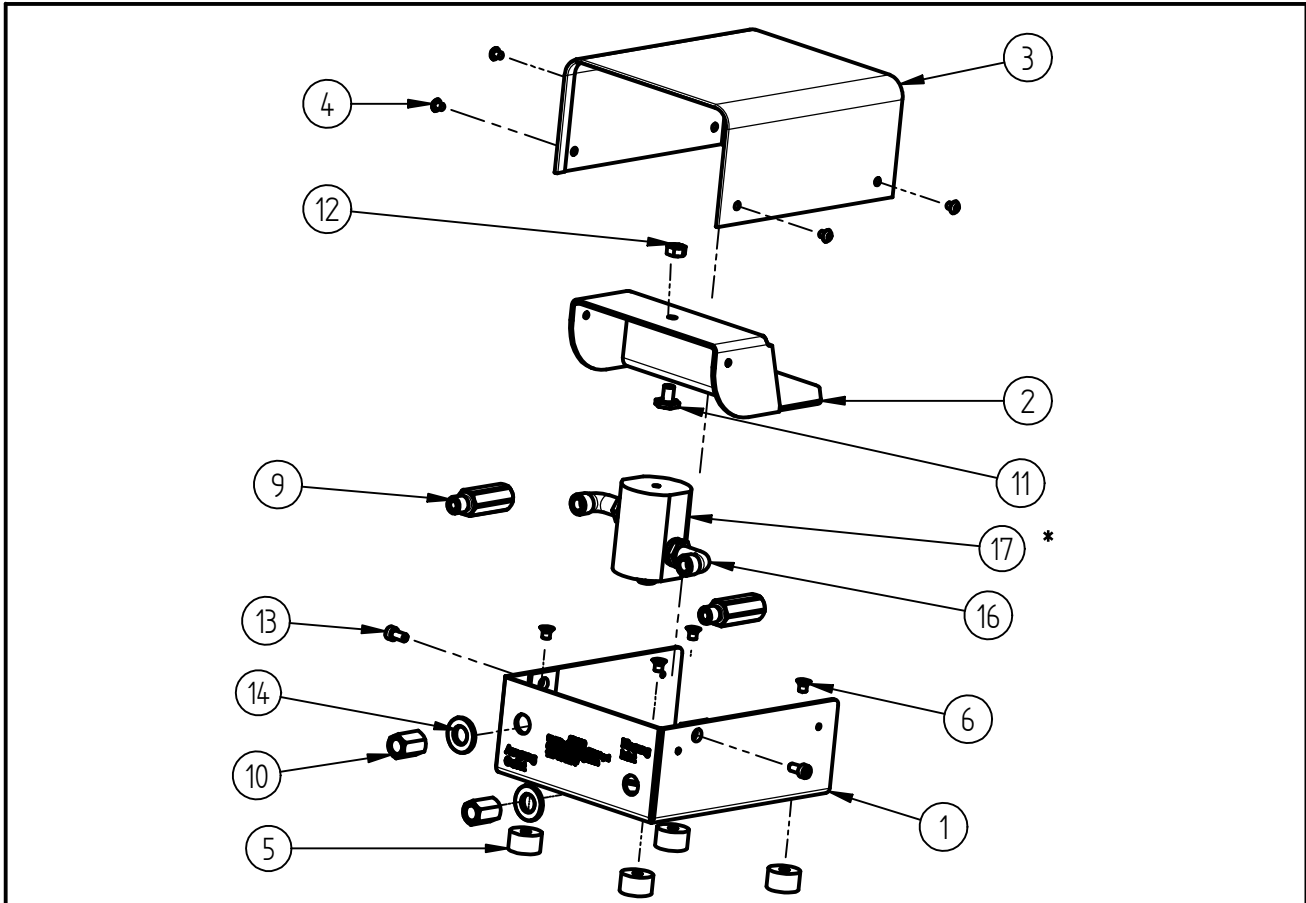


Spare Parts
Foot actuated valve ST- 550
Item-No. 20 0550 600



Pos.	Item-No.	Description
1	04 0002 955	Sheet metal casing lower part
2	04 0002 970	Sheet metal kick
3	04 0002 960	Sheet metal casing uper part
4	04 0000 780	Screw M5x6
5	02 0005 040	Rabber buffer
6	04 0003 000	Countersunk-head screw
9	04 0002 980	Connecting piece
10	04 0001 281	Socket
11	04 0003 026	Adjusting screw
12	04 0001 610	Hex nut M8x1
13	04 0003 015	Allen screw
14	04 0002 985	Washer
16	10 0000 500	Angle pipe pieces 90°
17	20 0550 410	Part assambly food actuated valve

Repair-Kits

Pos.	Item-No.	Description	Pos.	Item-No.	Description
*	20 3600 490	Repair- Kit (from ETZ 20 3600 490)			