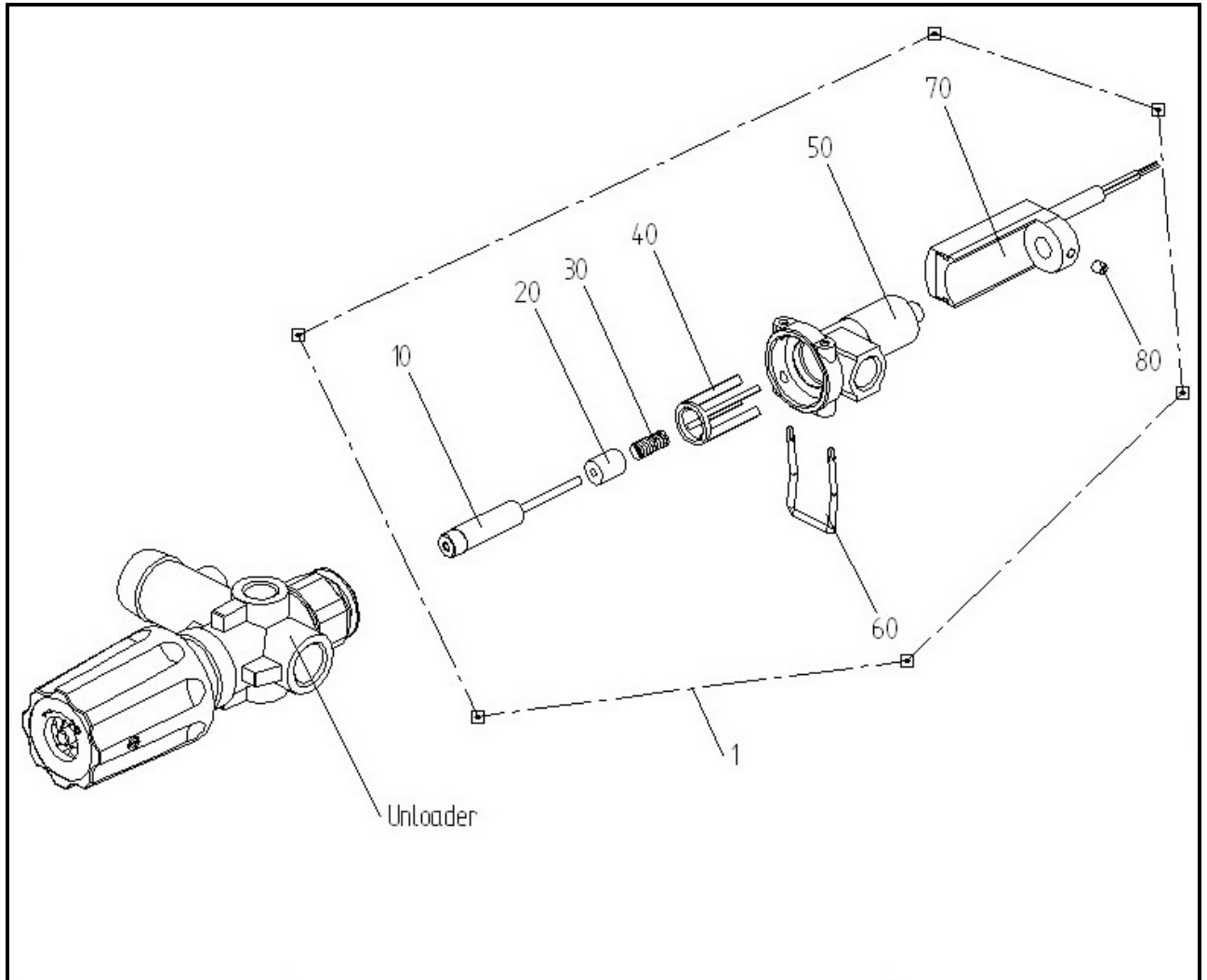


Spare Parts
Unloader with Switch ST-261
Item-No. 20 0261 555



| Pos. | Material-Nr. | Designation | Pos. | Material-Nr. | Designation |
|------|--------------|------------------------|------|--------------|-------------|
| 1 | 20 0261 517 | Reed switch 2-wires | 120 | | |
| 10 | 20 0261 470 | Pressure piece | 130 | | |
| 20 | 09 0000 016 | Toric magnet | 140 | | |
| 30 | 06 0000 130 | Pressure spring | 150 | | |
| 40 | 02 0001 860 | Guide cage | 160 | | |
| 50 | 01 0000 800 | Brass housing | 170 | | |
| 60 | 06 0000 385 | Clamp | 180 | | |
| 70 | 20 0261 480 | Switcher | 190 | | |
| 80 | 04 0000 395 | Hex. socket head screw | 200 | | |
| 90 | | | 200 | | |
| 100 | | | 210 | | |
| 110 | | | | | |